



TINKER BOARD

Innovatively enjoy a whole new digital experience
 享受創新的數位體驗
 享受创新的数字体验
 Profitez d'une toute nouvelle expérience numérique et innovante
 Наслаждайтесь новыми инновационными технологиями
 いまだかつてない新感覚のデジタル体験を提供します。
 Sperimentate un'esperienza di interazione digitale completamente nuova!
 Иновативно, наслаждавайте се на изцяло ново цифрово изживяване
 Zcela novú převratnú digitálnú zážitek
 Nyd en hel ny digital oplevelse

Geniet innovatief van een volledig nieuwe digitale ervaring
 Naudi innovatiivseit kogu uut digitaalset kogemust
 Nauti innovatiivisesta, aivan uudesta digitaalisesta kokemuksesta
 Genießen Sie ein rundum neues Digitalerlebnis
 Καινοτομική απόλαυση μιας εξολοκλήρου νέας εμπειρίας
 Vadonátúj digitális élmény
 Menikmati pengalaman digital yang benar-benar baru secara inovatif
 Тольгымен жаңа сандык тәжірибеге инновациялык түрдө кол жеткізіңиз
 완전히 새로운 디지털 세계를 획기적으로 즐겨보세요.
 Gústiet pilnigi jaunu digitālo baudījumu inovatīvā veidā
 Mėgaukitės visiškai naujais skaitmeniniais potyriais
 Få glede av en helt ny, innovativ digital opplevelse
 Korzystaj z zupełnie nowego cyfrowego rozwiązania
 Desfrute de uma nova experiência digital de forma inovadora
 Bucurați-vă în cel mai inovator mod de noua experiență digitală
 Inovativno uživajte u celom, novom, digitalnom iskustvu
 Inovatívne si vychutnávajte úplne nový digitálny zážitok
 Sea el primero en disfrutar de una nueva experiencia digital total
 Innovativ njutning av en helt ny digital upplevelse
 Tamamen yeni yaratıcı bir dijital deneyim yaşayın
 Tân hưởng trải nghiệm số hoàn toàn mới theo cách cải tiến
 เพลิดเพลินกับการสร้างสรรค์ประสบการณ์ดิจิทัลใหม่ทั้งหมด
 استمتع بتجربة رقمية جديدة تمامًا وبشكل مبتكر

E17573
 Revised Edition V5
 November 2020



Thank you for purchasing ASUS Tinker Board!

Tinker Board is more than a dream for the DIY-obsessed: it's a gateway to new ideas and new relationships. Experienced makers will love Tinker Board's performance-to-price ratio and strong brand heritage, while novices and younger users will appreciate its accessibility and ease of use. But all will come together to create — Together We Make!

Package contents

Check your Tinker Board package for the following items:

- 1 x Tinker Board/2G
- 1 x Heatsink*
- 1 x Shielding bag
- 1 x Quick start guide

* Beware of high temperatures when only using the bundled heat sink.

Safety Information

- Power supply used with the Tinker shall comply with relevant regulations and applicable standards.
- DO NOT overclock the board, as this may cause damage to the board.
- Ensure that the board is placed in a well ventilated environment.
- The board should be placed on a flat, stable, non-conductive surface.
- Avoid handling the board while powered. Handle the board by the edges to minimize risk of Electronic Static Damage (ESD).
- Do not use both the system Micro USB power-in jack and the 40-pin GPIO +5V pins (pin 2 and 4, red) for power input at the same time. Please refer to the **Top view** illustration for the location of the pins.
- If you wish to use the 40-pin GPIO +5V (pin 2 and 4, red) as a power input source, please make sure the power input rating for each pin complies with the standard of +5V / 3A (+/-5% deviation). A power rating value that exceeds the rating valued mentioned, or an unstable power source may result in damage to your system or hardware. Please refer to the **Top view** illustration for the location of the pins.

ASUS Tinker Board specifications summary

Processor	Rockchip RK3288 Arm® Cortex®-A17 Quad-core SoC* * Quad-core up to 1.6Ghz or single-core up to 1.8Ghz. * The CPU will operate at full capacity, take note of heat dissipation and AC adaptor stability.
GPU	Arm® Mali™-T760 MP4 GPU
Display	1 x HDMI™* supports up to 4K 1 x 15-pin MIPI DSI supports up to HD * HDMI™ supports a maximum resolution of up to 4K, and the IGPU only supports H.264/H.265 4K hardware decoders.
Memory Size	Dual-CH LPDDR3 2GB
Storage	Micro SD(TF) card slot
Connectivity	RTL8211E-VB-CG GB LAN AW-NB177NF 802.11 b/g/n wireless & BT 4.0 + EDR
Audio	RTL ALC4040 Codec with 1 x 3.5mm audio jack (optional)
USB	4 x USB 2.0 ports
Camera Interface	1 x 15-pin MIPI CSI slot for camera
Internal Headers	1 x 40-pin header includes: - up to 28 x GPIO pins - up to 2 x SPI bus - up to 2 x I2C bus - up to 4 x UART - up to 2 x PWM - up to 1 x PCM/I2S - 2 x 5V power pins - 2 x 3.3V power pins - 8 x ground pins 1 x 2-pin contact point includes: - 1 x PWM signal - 1 x S/PDIF signal
Power Connector	Micro USB
OS Support	Debian / Android
Dimension	3.37" x 2.125" (85 x 56 mm)

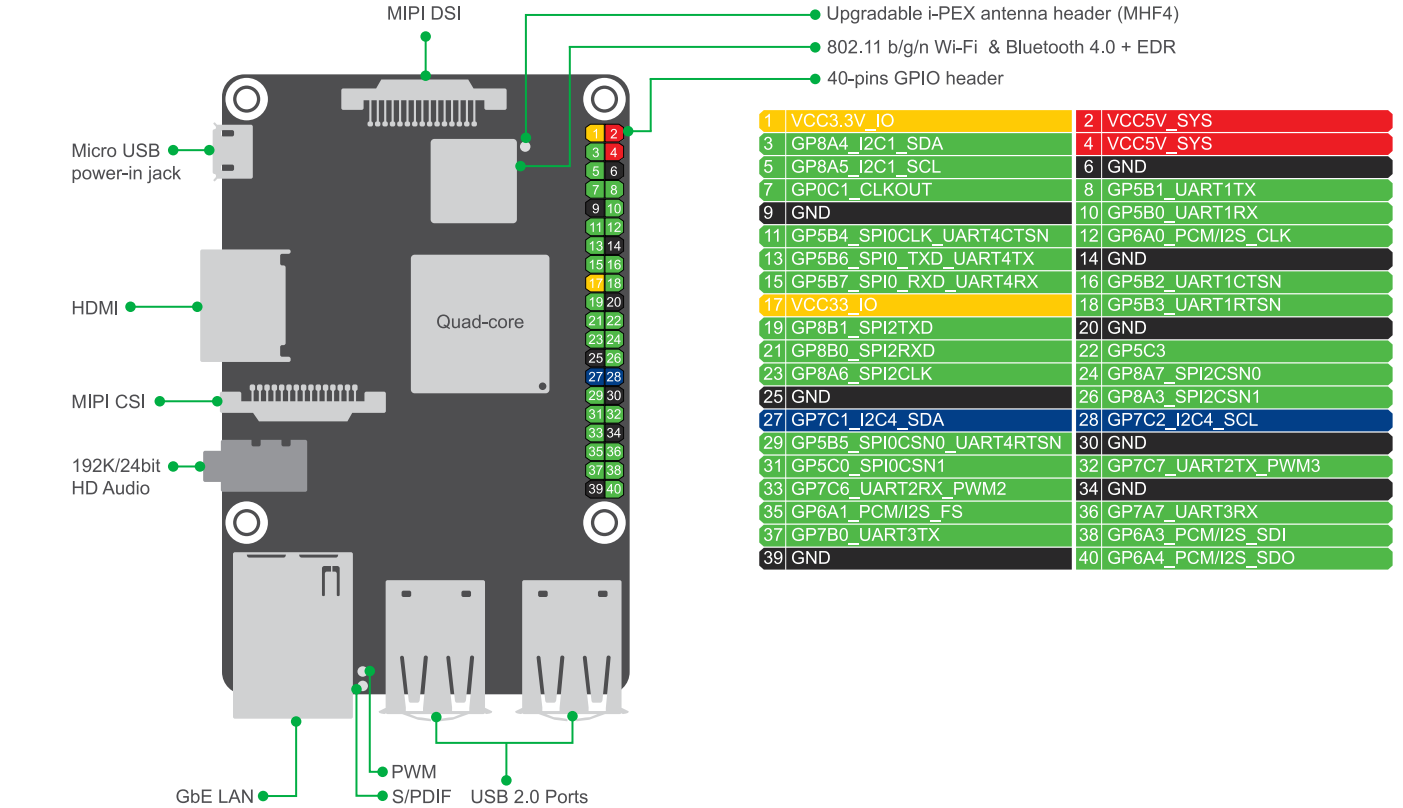
Getting Started

Requirement:

- 1 x Micro SD card with at least 8GB capacity
- 1 x Micro USB cable and a 5V/2A USB power adapter with LPS marking
- 1 x Monitor with HDMI cable
- 1 x Keyboard and Mouse set

- Insert the micro SD card into a Windows® PC
- Download the OS image from the Tinker Board website and burn it into the micro SD card using a third-party ISO software, such as *Win32DiskImager*.
- Insert the bootable micro SD card into your Tinker Board, then connect the power supply, keyboard, mouse, and monitor to boot up.

Top view



Bottom view

