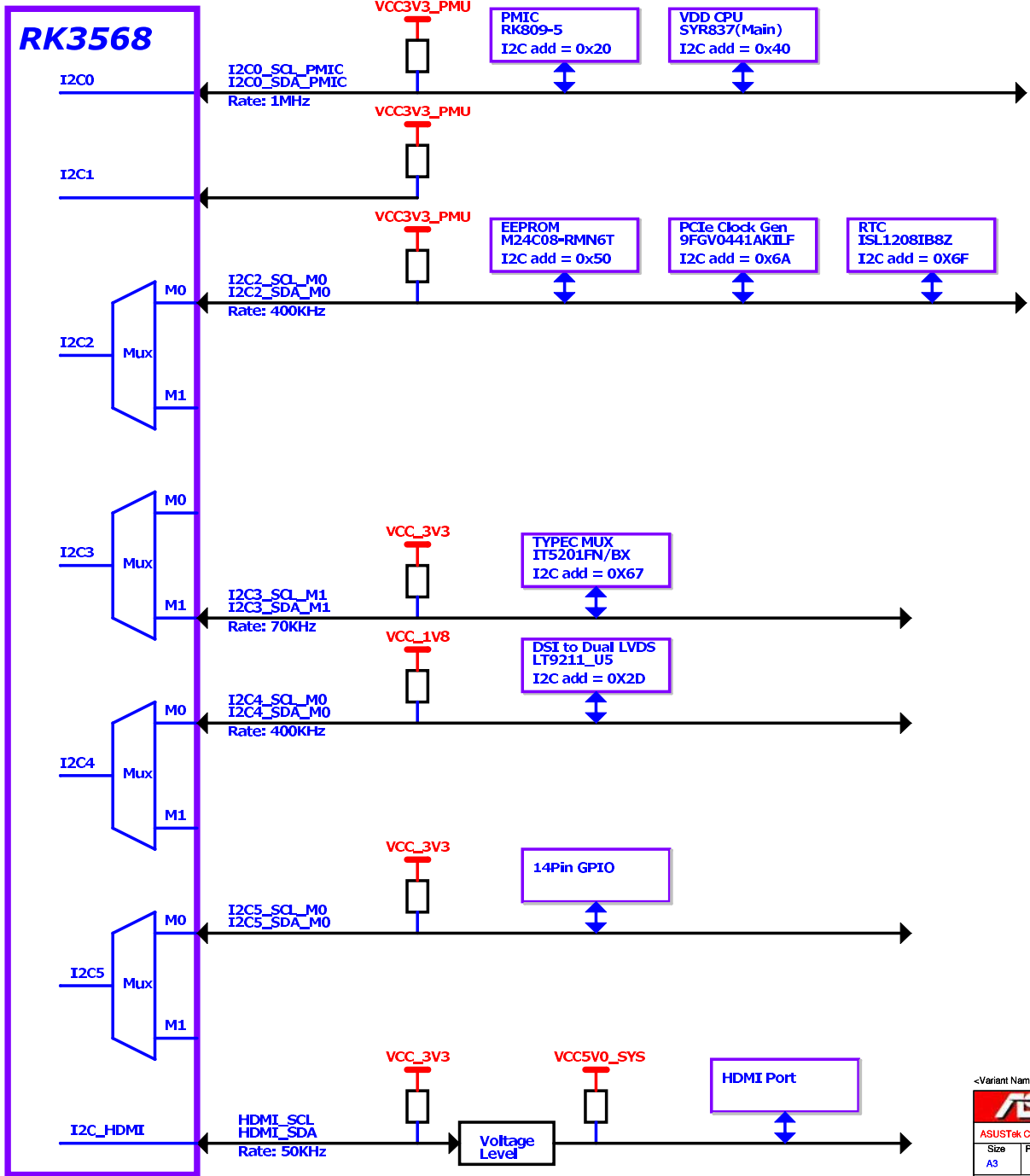


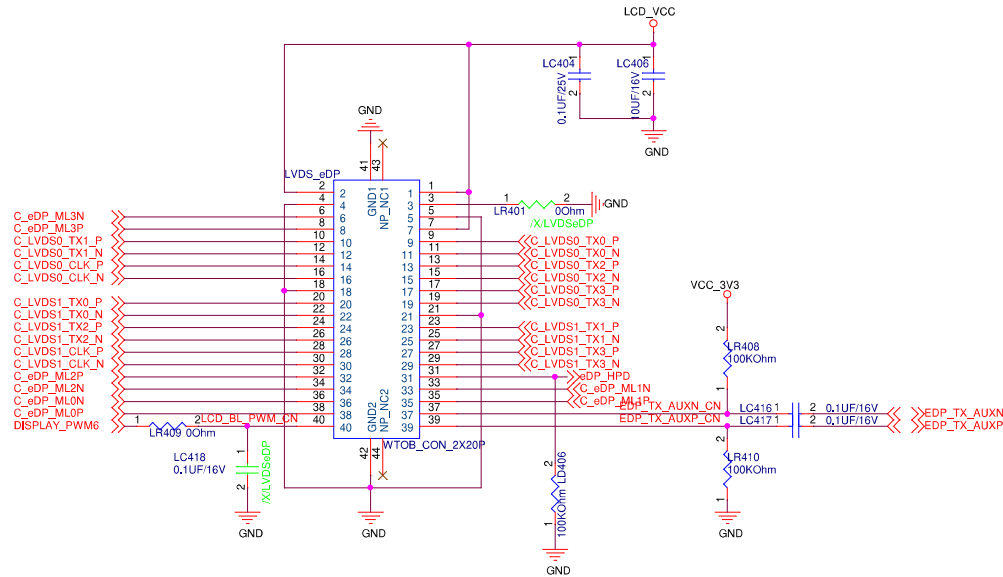
# I2C Map



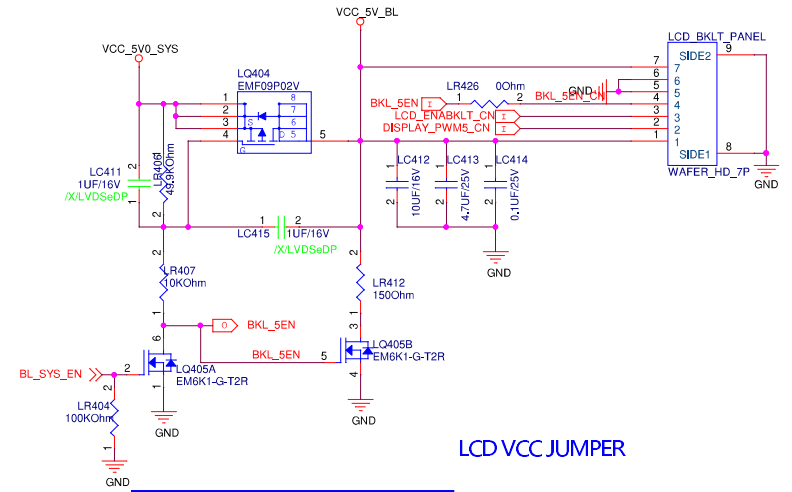




### LVDS\_eDP Connector

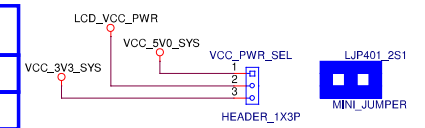


### Back Light Connector

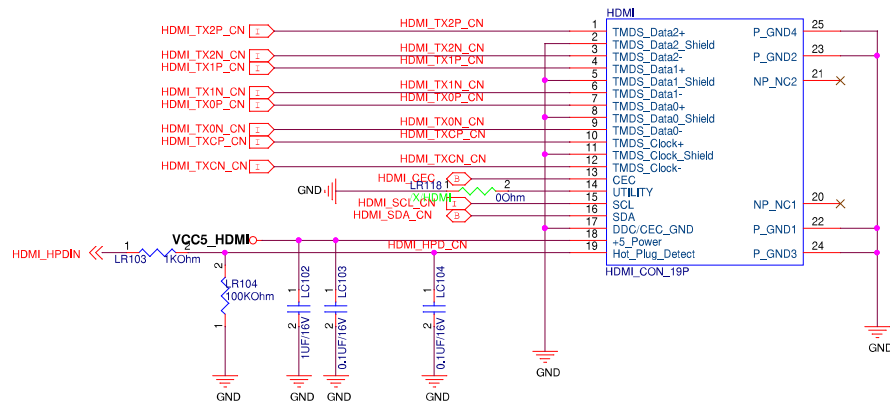


### LCD VCC JUMPER

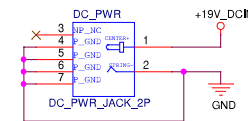
VCC_PWR_SEL	Jumper
5V	Pin 1-2
3.3V (default)	Pin 2-3



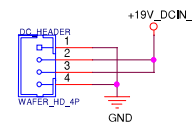
### HDMI 2.0



### DCIN Power Oring



### DCIN Power Header



### PoE Header

