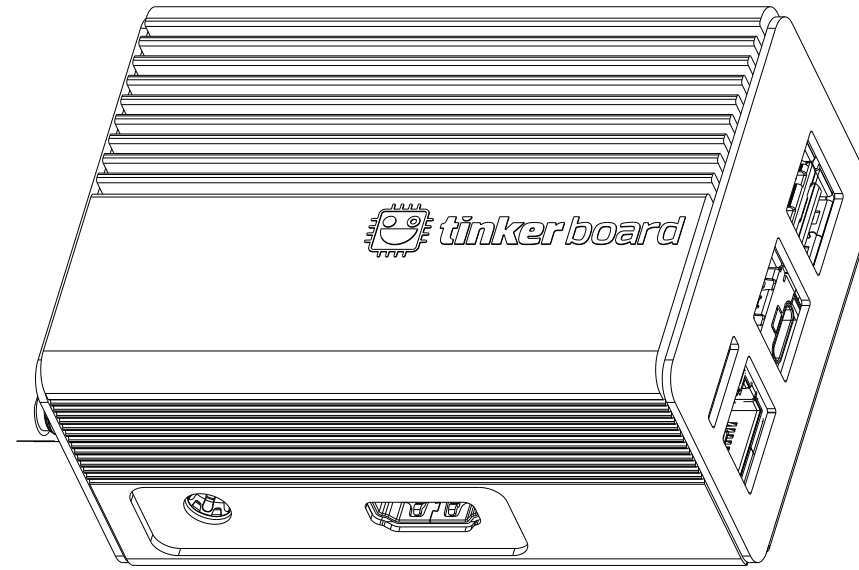
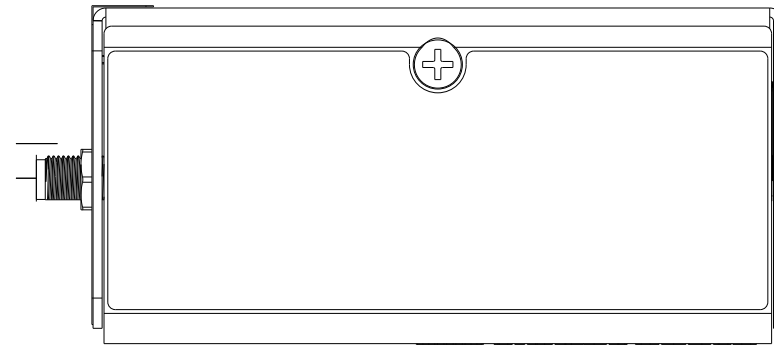
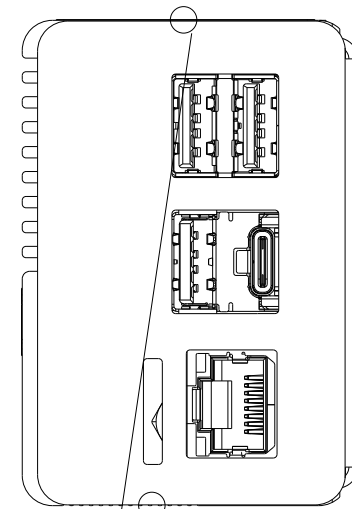
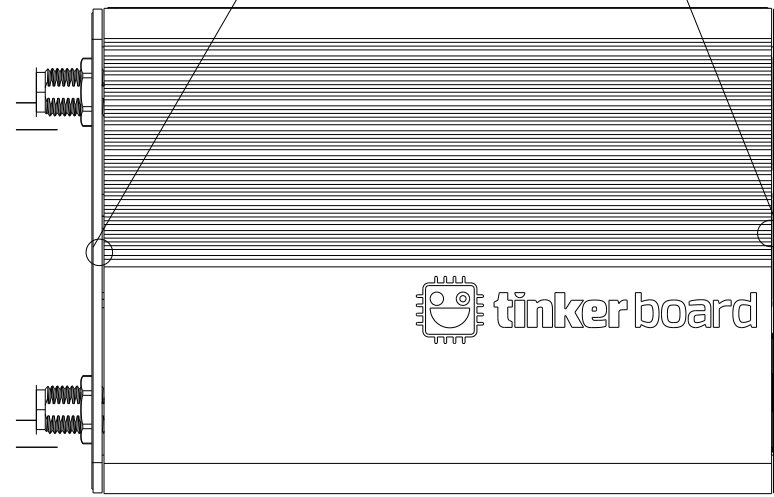
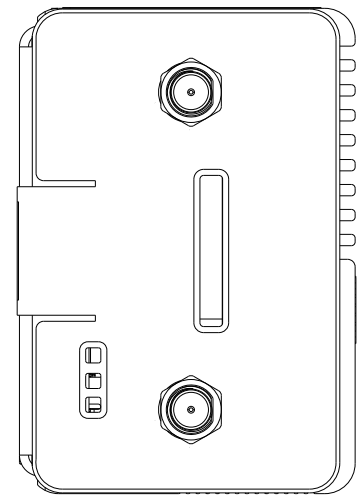


REV. LTR	DATE	UPDATE DESCRIPTION	REMARK	SIGN	APPROVER
△					



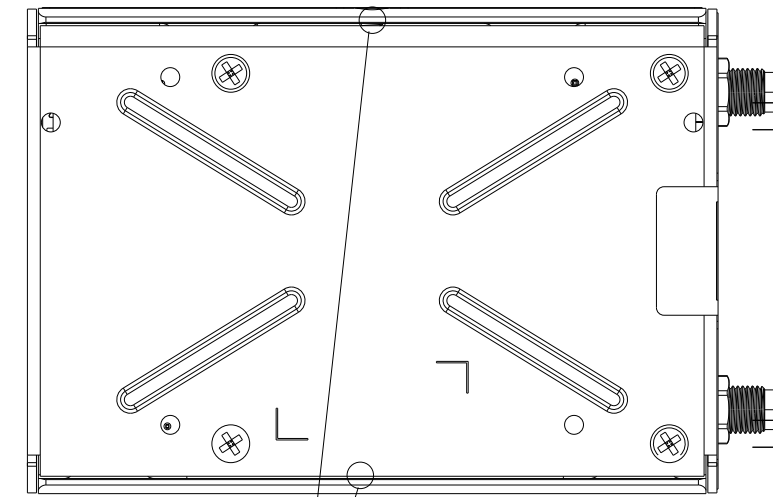
1

0.0<=STEP<=0.65
0.0<=GAP<=1.0
TOP Case ← → BOTTOM CASE



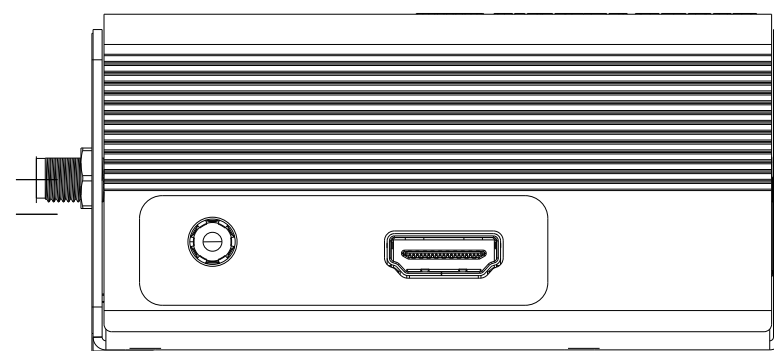
1

0.0<=STEP<=0.65
0.0<=GAP<=1.0
TOP Case ← → BOTTOM CASE



2

0.0<=GAP<=1.0
TOP Case ← → BOTTOM CASE



MATERIAL(SPEC)		QUANTITY/SET	
FINISH		1 PC.	
SCALE		1.000	
SELECT V		UNIT	
DIM	TOL	A	B
~8	± 0.03	± 0.05	± 0.10
8~25	± 0.05	± 0.08	± 0.20
25~80	± 0.08	± 0.12	± 0.25
80~	± 0.12	± 0.15	± 0.30
		C	D
		± 0.10	± 0.15
		± 0.20	± 0.25
		± 0.25	± 0.30
		± 0.30	± 0.35
		EXTRA	



DESCRIPTION

0_TINKER_II_ASSY

MODEL NO.

DRAWIN NO.

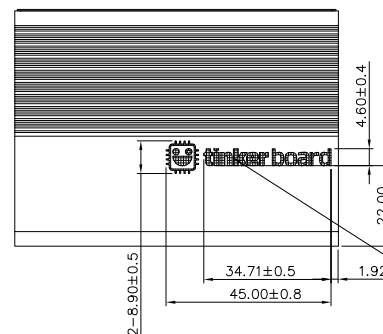
PART NO.

CHECKED

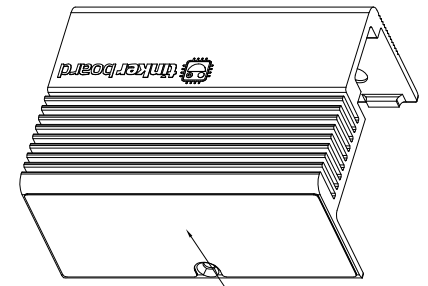
APPROVED

A B C D E F G H I

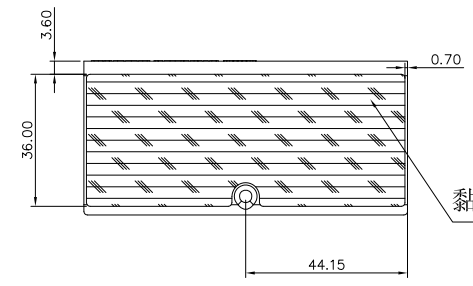
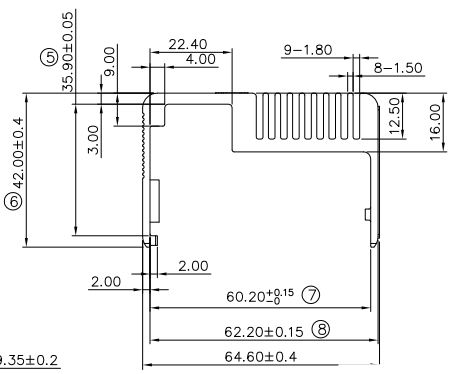
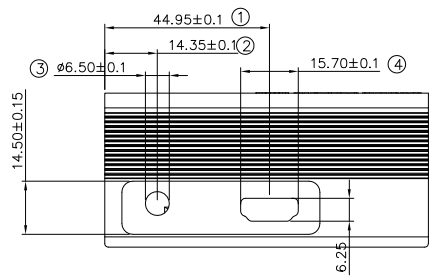
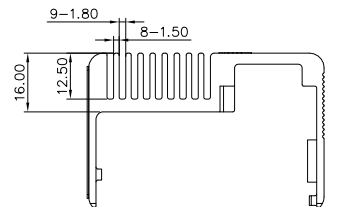
1
2
3
4
5
6
7
8



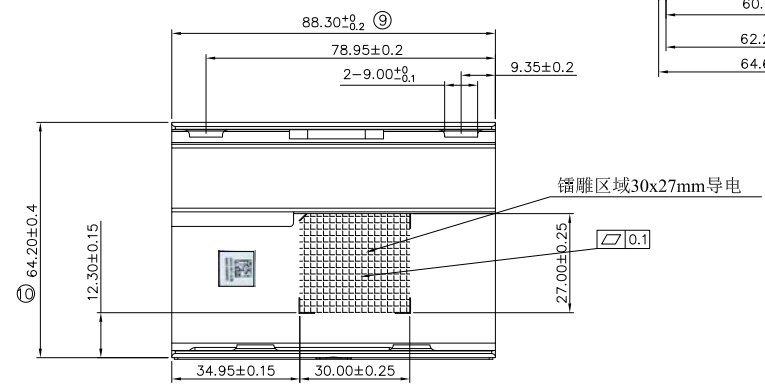
LOGO 用 啞光絲印黑色 參考樣品



黏貼MYLAR



黏貼MYLAR



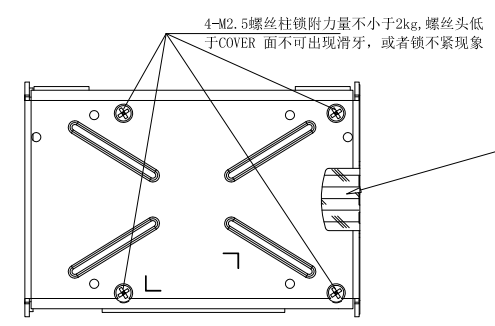
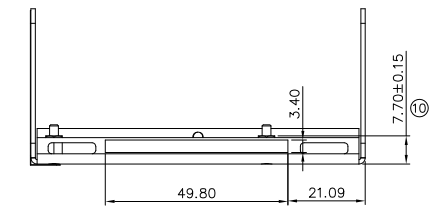
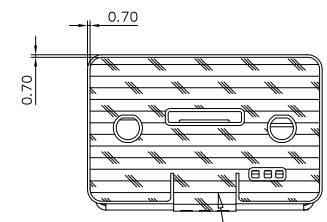
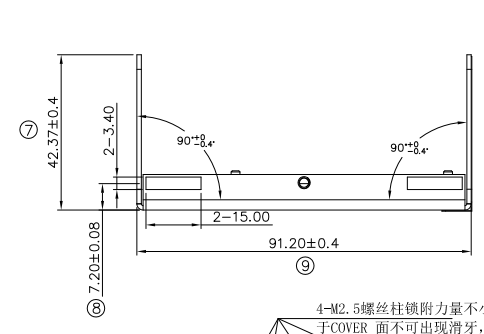
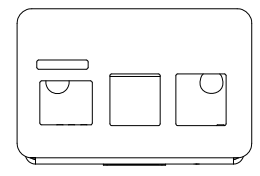
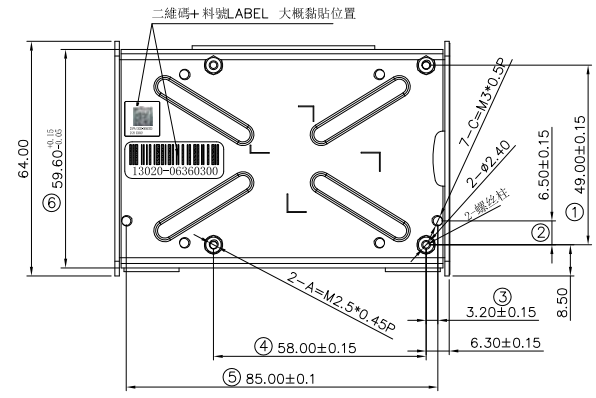
鐫雕区域30x27mm导电

A B C D E F G H I

1
2
3
4
5
6
7
8

A B C D E F G H I

1
2
3
4
5
6
7
8



A B C D E F G H I

1
2
3
4
5
6
7
8