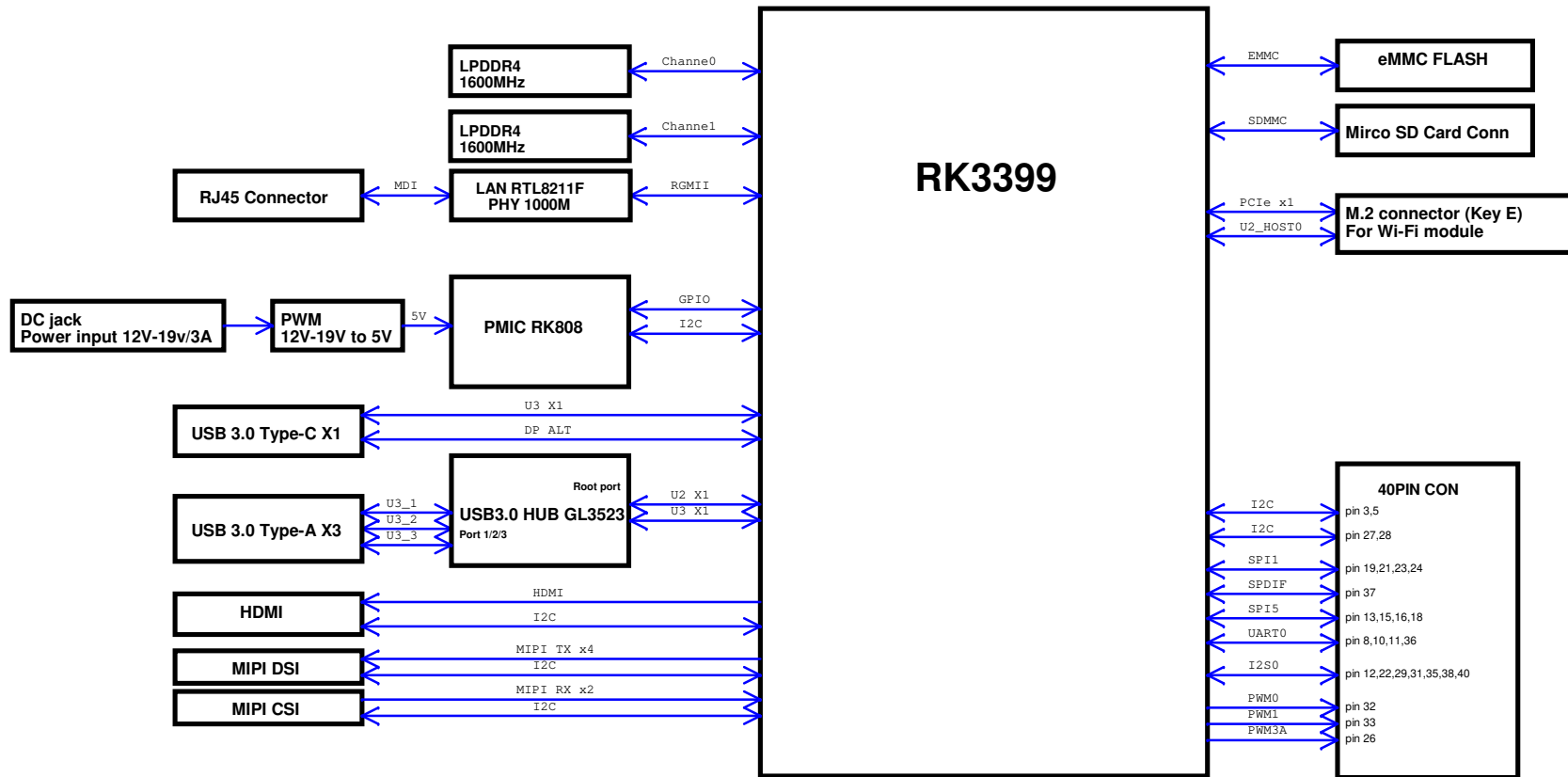


TINKER BOARD 2 Block Diagram



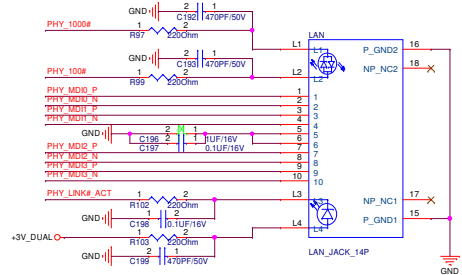
I2C Block Diagram

Port	Pin name	Domain	Bus name	Pull-up voltage	Slave Device	Slave Addr (MS 7Bits)	Note
I2C0	GPIO1_B7/SPI3_RXD/I2C0_SDA GPIO1_C0/SPI3_TXD/I2C0_SCL	PMUIO2	PMIC_I2C_SDA PMIC_I2C_SCL	VCC_3V0	Rockchip RK808-D	0x1b	PMIC
					FAN53555BUC23X	0xC0	DC-DC BUCK
I2C1	GPIO4_A1/I2C1_SDA GPIO4_A2/I2C1_SCL	APIO5	CSI_I2C_SDA CSI_I2C_SCL	VCC_3V0	MIPI_CSI		Camera
I2C2	GPIO2_A0/VOP_D0/CIF_D0/I2C2_SDA GPIO2_A1/VOP_D1/CIF_D1/I2C2_SCL	APIO2	RESERVE	VCC_3V0			
I2C3	GPIO4_C0/I2C3_SDA/UART2B_RX GPIO4_C1/I2C3_SCL/UART2B_TX	APIO4	HDMI_I2C_SDA HDMI_I2C_SCL	VCC_3V0			HDMI conn
I2C4	GPIO1_B3/I2C4_SDA GPIO1_B4/I2C4_SCL	PMUIO2	CC_I2C_SDA CC_I2C_SCL	VCC_3V0	Fairchild FUSB302B	0x44,0x46	USB-TypeC Mux
					FAN53555BUC23X	0xC0	DC-DC BUCK
I2C5	GPIO3_B3/MAC_CLK/I2C5_SCL GPIO3_B2/MAC_RXER/I2C5_SDA	APIO1	RESERVE	+3V_DUAL			
I2C6	GPIO2_B1/SPI2_RXD/CIF_HREF/I2C6_SDA GPIO2_B2/SPI2_TXD/CIF_CLKIN/I2C6_SCL	APIO2	40_I2C6_SDA 40_I2C6_SCL	VCC_3V0			GPIO 40 PIN
I2C7	GPIO2_A7/VOP_D7/CIF_D7/I2C7_SDA GPIO2_B0/VOP_CLK/CIF_VSYNC/I2C7_SCL	APIO2	40_I2C7_SDA 40_I2C7_SCL	VCC_3V0			GPIO 40 PIN
I2C8	GPIO1_C4/I2C8_SDA GPIO1_C5/I2C8_SCL	PMUIO2	EE_I2C_SDA EE_I2C_SCL	VCC_3V0	MIPI_DSI		Panel
					EEPROM		EEPROM

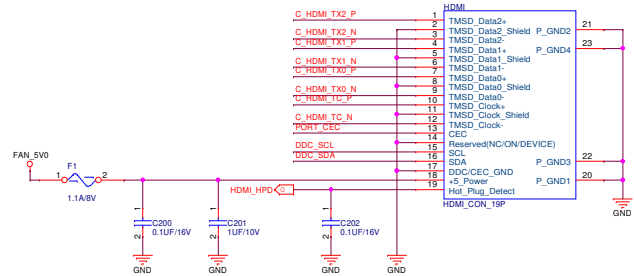
<Variant Name>

		Title :	
ASUSTeK COMPUTER INC		Engineer:	
Size	Project Name	Tinker Board 2	
Date:	Sheet	of	

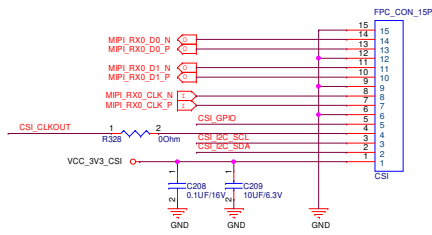
LAN conn



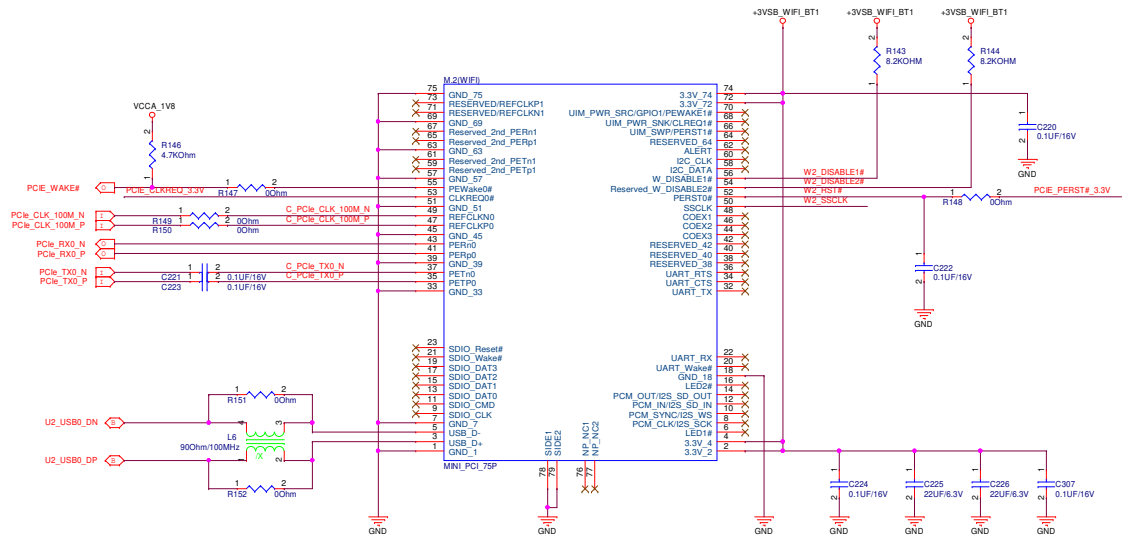
HDMI conn



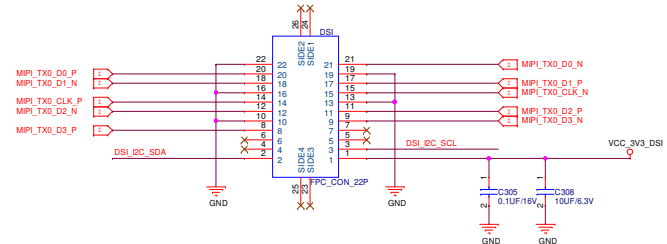
CSI conn



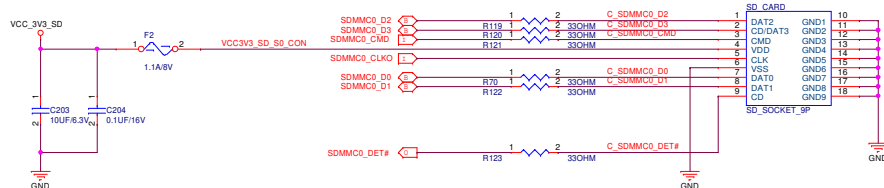
M.2 slot



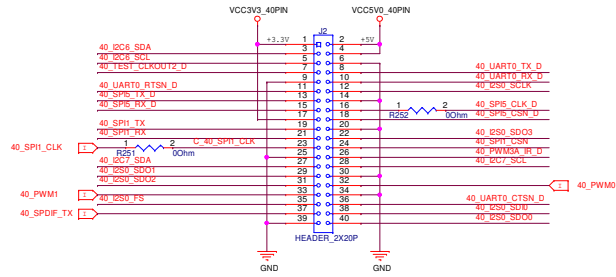
DSI conn



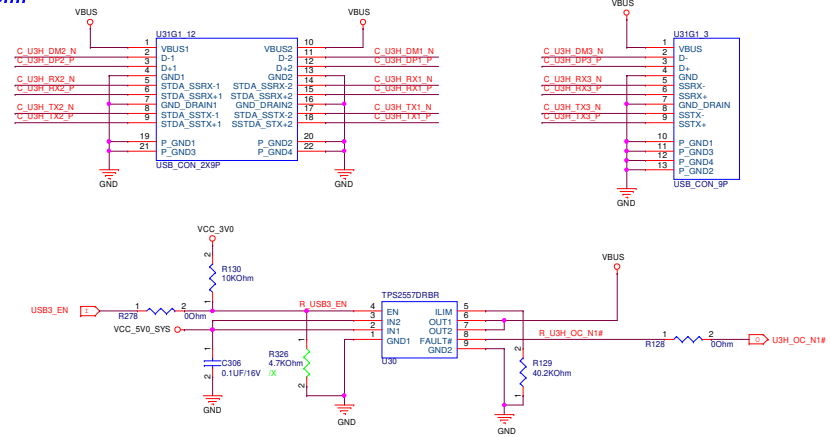
SD card slot



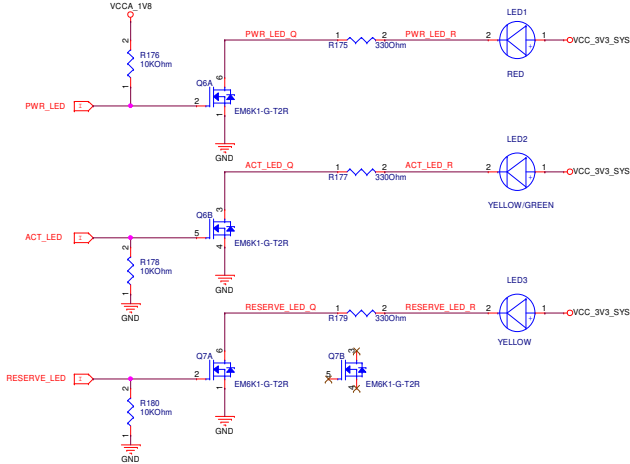
40 pin header



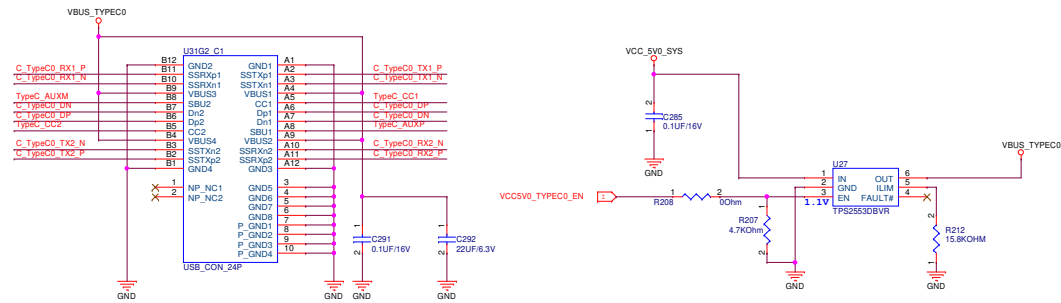
USB3 type A conn



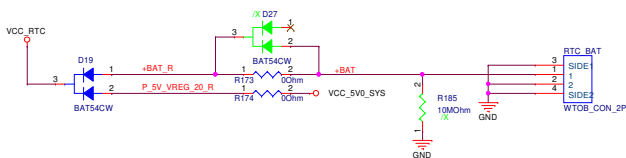
LED



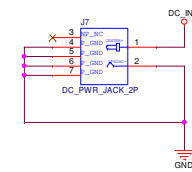
USB3 type C conn



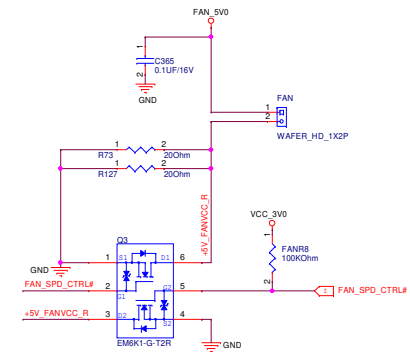
Battery conn



DC input



FAN



Jumper

